

4 Point Mount Water Separator

Low Pressure Drop Spin-On Coalescer



Ensuring clean, dry diesel fuel

Parker's 4 Point Mount filter extends the Racor spin-on range of modular fuel filter water separators to include a new lower pressure drop, higher flow filter head. This improves key performance parameters of the popular OE head mount design. The filter removes more contamination than current models, whilst ensuring the best possible water separation in the most challenging modern diesel fuel blends, utilizing Parker's Aquabloc 3D multi-stage coalescer media technology.



Contact Information: Product Features:

Parker Hannifin Ltd
**Engine & Mobile Filtration
Division EMEA**

Shawcross Business Park,
Churwell Vale, Dewsbury
WF12 7RD

phone +44 1924487000
emfeaftermarket@parker.com

www.parker.com/emfe

- Robust heavy duty 4 point mounting, low restriction head, passing all rough road, vibration and fatigue testing.
- Spin-on cartridge, 3 stage Aquabloc 3D technology, ensuring peak water removal throughout the service life (>97% ISO16332).
- Improved stick heater (24V/190W or 24V/380W options available).
- Flow rate to 681 LPH (180 GPH)
- Approved for all biofuels to B20.
- Integrated deaeration valve to eliminate collected air and ensure the filter remains full of fuel.
- Clear water collection bowl with self-venting drain and ½" – 20 UNF water sensor port with numerous OE compatible water sensors available.
- Aluminium filter head with manual primer pump and optional Daimler specified 15KPa bypass valve option.



ENGINEERING YOUR SUCCESS.

4 Point Mount Water Separator

Design Options Available

Installation recommendations

The 4PM has been designed to be chassis mounted close to the fuel tank, commonly in a suction side application prior to the engine lift pump. The 4PM Water separator delivers clean dry fuel in numerous markets, including agricultural, truck/bus, rail, power generation and construction.

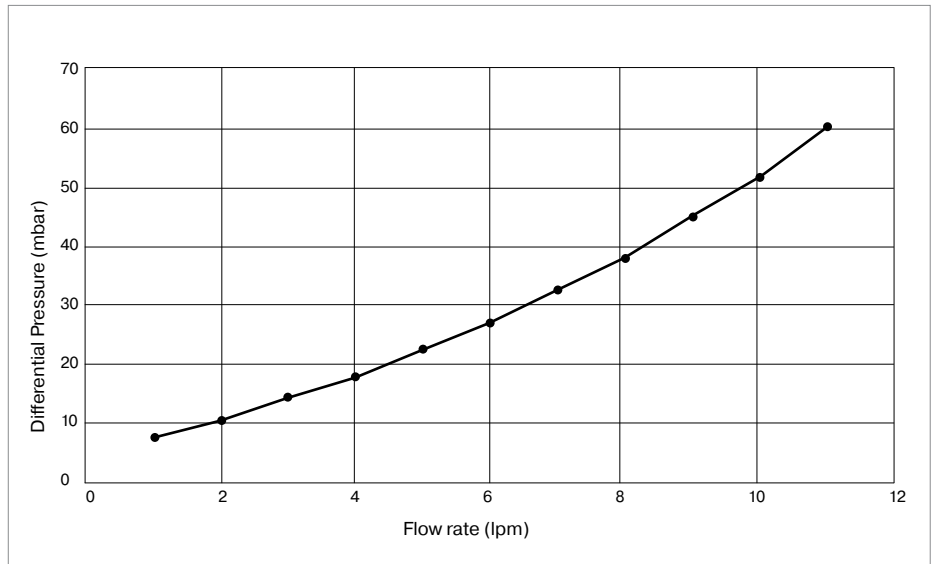
Aquabloc3D – three stage protection

Our Aquabloc3D coalescer filtration systems represent a technological advance in diesel fuel filtration, enabling operators to meet the challenges of dealing with increasingly sophisticated fuel, and an ever-more demanding commercial environment. They are built to clean the fuel and separate the water from day one to the very end of the service period, even in bio-diesel and additivised fuels.

The Aquabloc3D coalescing media is utilised in a spin-on filter element canister that contains an innovative multi-stage filtration system, specifically for today's diesel fuels. Unlike more typical barrier water separators which separate water out of fuel with a single hydrophobic barrier filter element, the Aquabloc3D uses three distinct elements to actively remove any particulate impurities, then coalesce minuscule and emulsified water in the fuel into larger droplets, before a final barrier stage prevents re-entrainment of the water.

Part Number	Description
WB4160RD10-M18-E6	A 960 470 14 90, Replacement 4 point mounted pre filter water separator: with bypass valve; no heater
W4160RD10-M18-E6	4 point mounted pre filter water separator: without bypass valve, no heater
WBH4160RD2410-M18-E6	A 960 470 15 90, 4 point mounted pre filter water separator: with bypass valve; 24V Heater Power: (190W)
WH4160RD2410-M18-E6	4 point mounted pre filter water separator; without bypass valve; 24V Heater Power: 190W
WBH4160RD2410-M18-E6-01	4 point mounted pre filter water separator; with bypass valve; 24V Heater Power: (350 W)
WH4160RD2410-M18-E6-01	4 point mounted pre filter water separator; without bypass valve; 24V Heater Power: (350W)
RK 56140-06PS	Water sensor, Male connector AMP 282080-1
R160-3D-RCR-01	Replacement 3D Coalescer spin on element equivalent to A 960 477 04 03

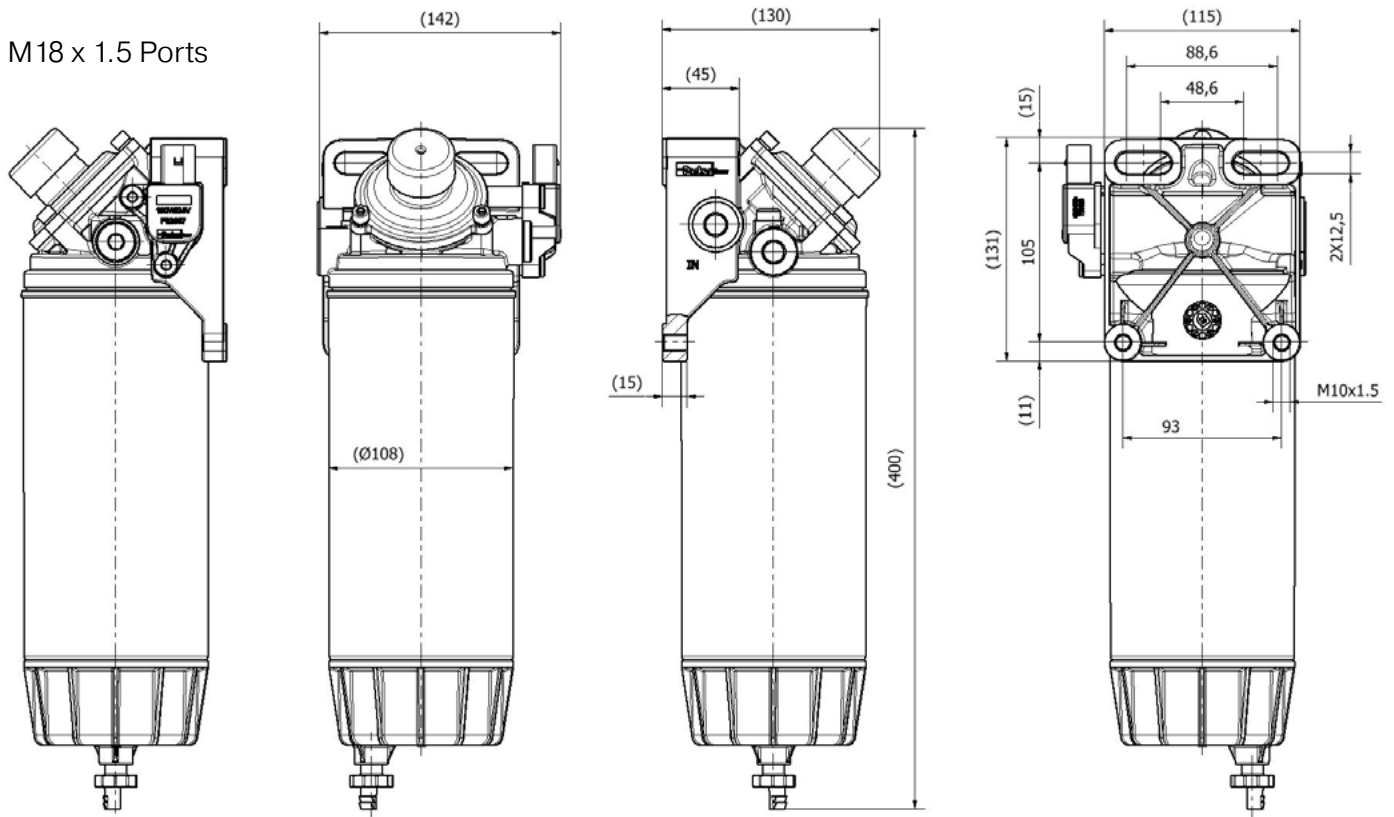
4PM: Available Options



4PM: Differential Pressure of full assembly @ 20°C

4 Point Mount Water Separator

Product Design



	ISO 19438 6µm	ISO 19438 10µm	ISO 16332
10 Micron Aquabloc 3D	88.7%	99.6%	>97%

4PM: Available Options

